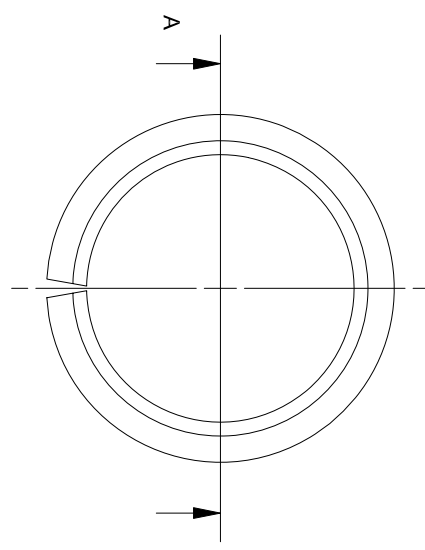
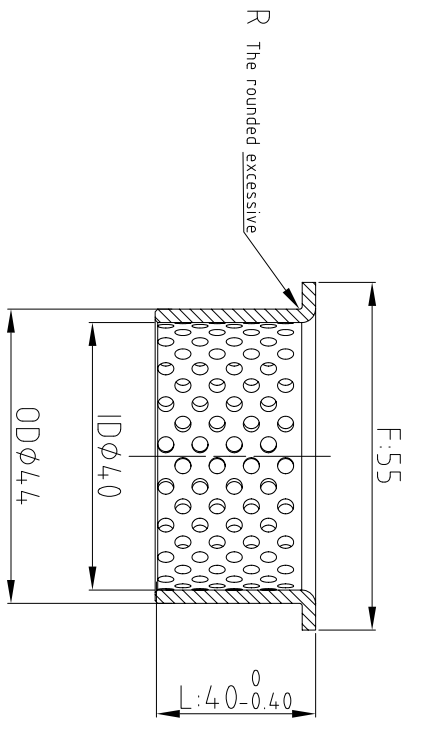
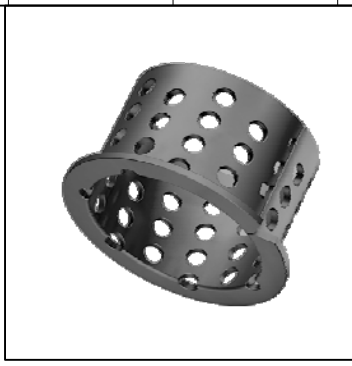


customer	/	size	ID40 OD44 L40 F55	Self-lubricating Bearing			<i>vipplus</i>		vipplus international		
parts	Bronze Bearing	Part no.	D202051013	Client			The material	Cu Sn8	The drawing	the front page	
Part number				version	1						



Units: mm

**Material: Cu Sn8**  
 Cu - 91,3%  
 Sn - 8,5%  
 P - 0,2%  
 Shaft dia: e7 / f7  
 Housing: H7

- The technical requirements**
1. There is no burr on the surface of the product
  2. there is no bump on the surface of the product, and the surface is flat
  3. The materials shall be inspected by incoming materials, and the first part of each batch shall pass the quality assurance inspection before production
  4. Check the size and other parameters for a certain number of parts

Design	David	Date	2020/5/10
Audit	Tiffany	Date	2020/5/11
Approval	Erik	Date	2020/5/12